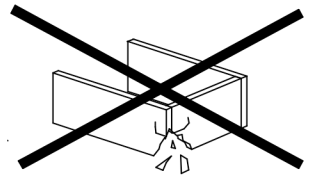
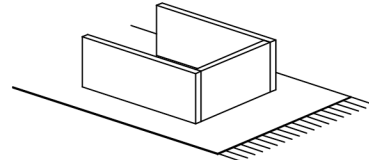
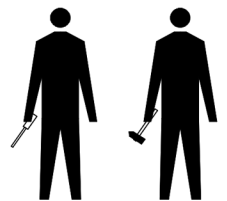
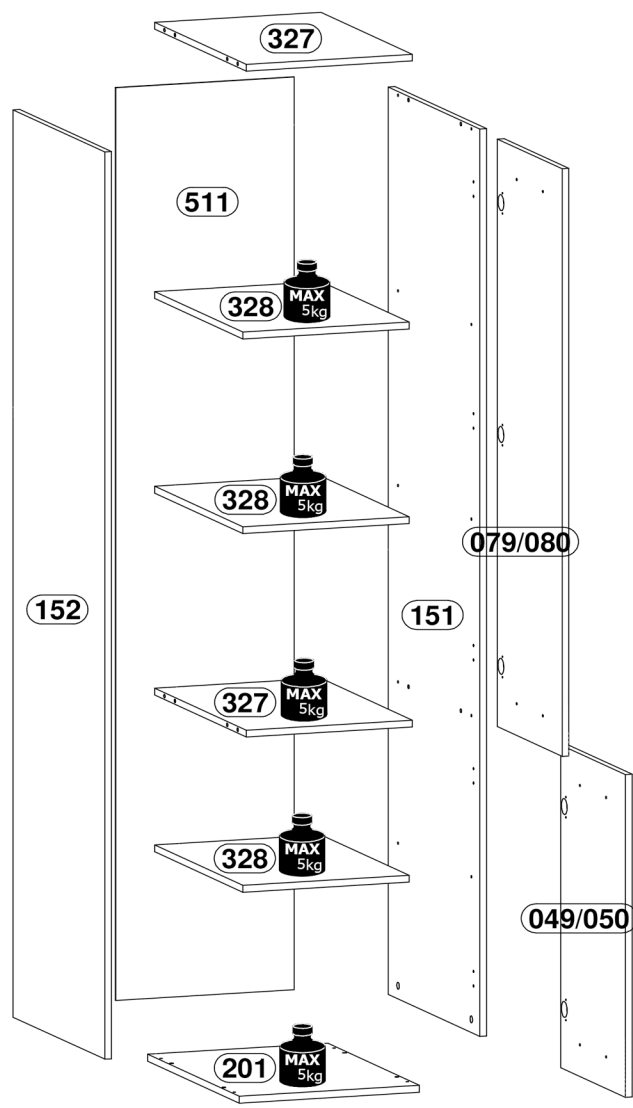
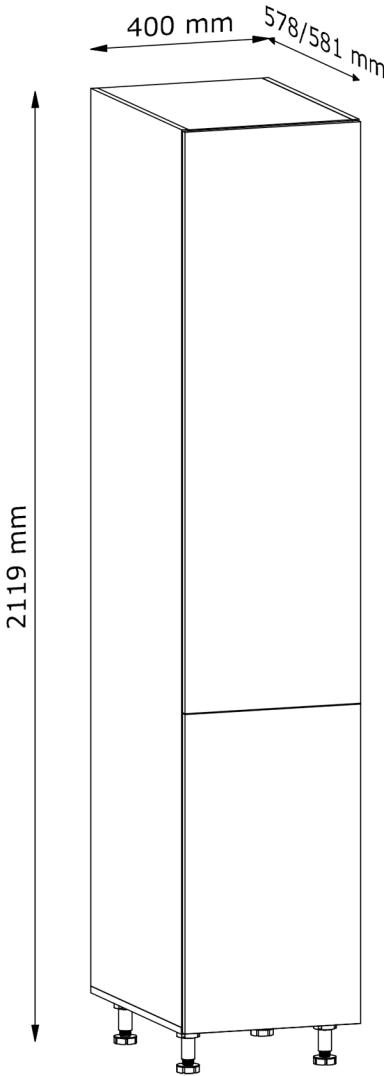
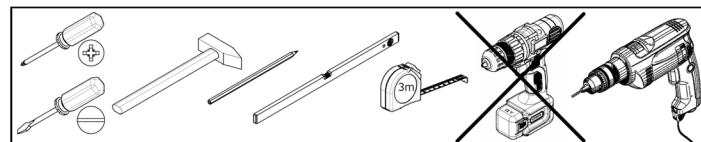


LANGEN

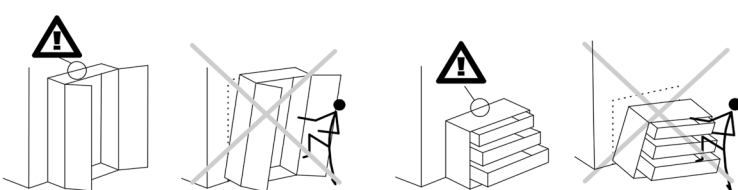
D40SP



Nr	L[mm]	W[mm]	H[mm]	PCS	BOX
049/050	713	396	15/18	1	2/2
079/080	1298	396	15/18	1	2/2
151	2004	560	15	1	1/2
152	2004	560	15	1	1/2
201	560	401	15	1	1/2
327	560	370	15	2	1/2
328	540	370	15	3	1/2
511	2016	397	2,5	1	1/2



A1 x12 Ø8x35mm	B1 x12 Ø5x38mm	C1 x12 Ø15x12mm	E1 x12 Ø5x16mm	G1 x48 26mm
I20 x2 83x21x11mm	J10 x12 Ø21mm	L1 x4 Ø50x95mm	T4 x1 75x28x16 mm	U18 x2 200mm
W2 x32 Ø3,5x16mm	W5 x4 Ø4x30mm	Y1 x4 Ø8x1,5mm	Z1 x5 50x40, H=2	Z3 x5 Ø35, ZK0



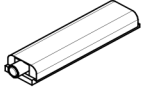
?

A

B

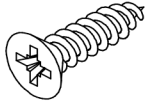
A

I20x

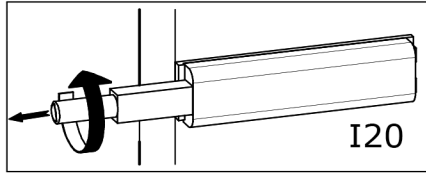


83x21x11mm

W2x



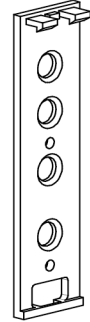
Ø3,5x16mm



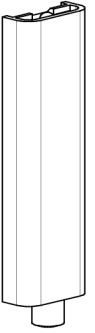
I20



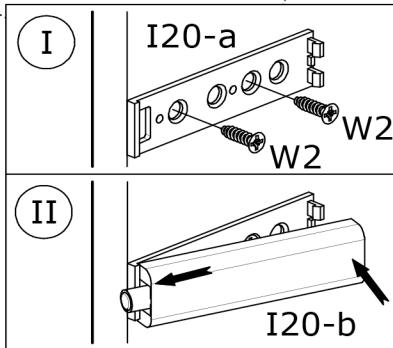
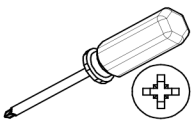
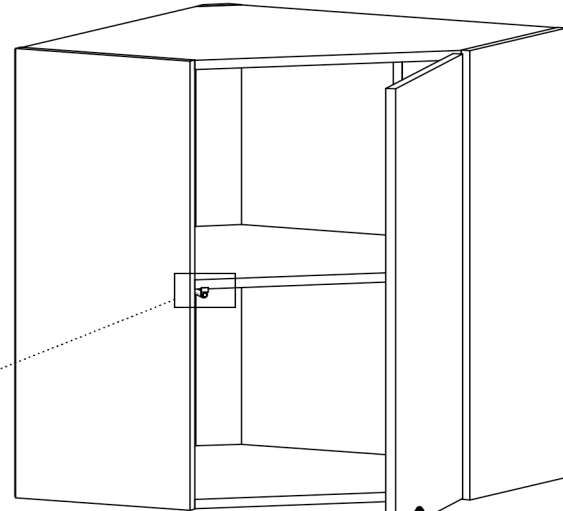
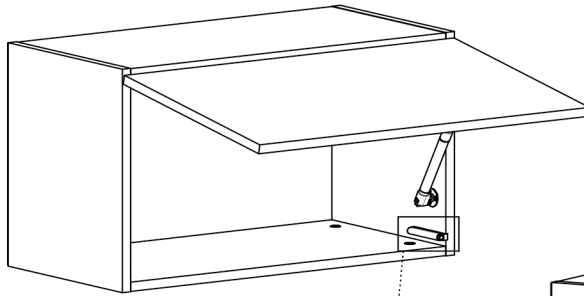
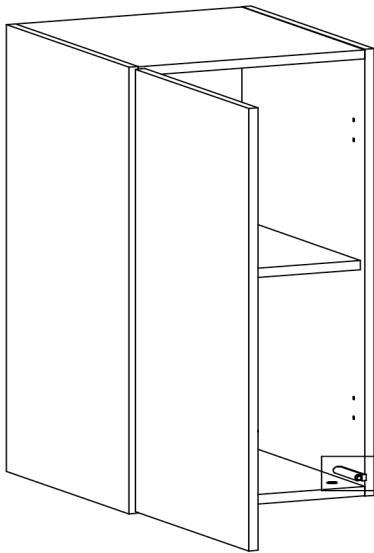
I20



I20-a



I20-b



I

I20-a

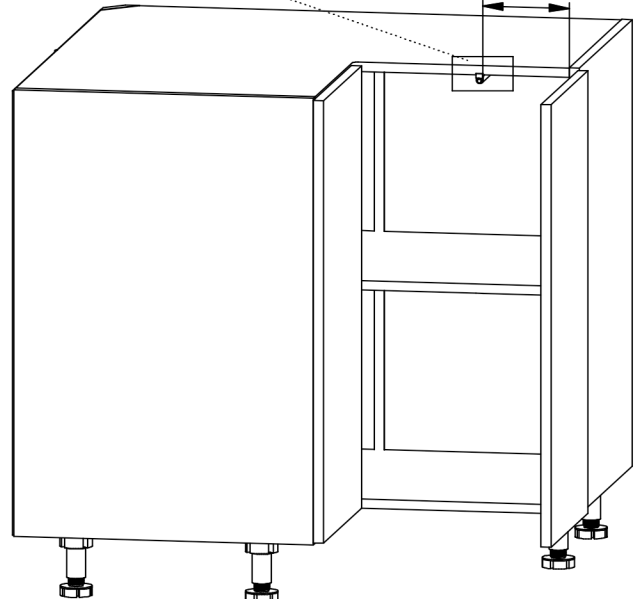
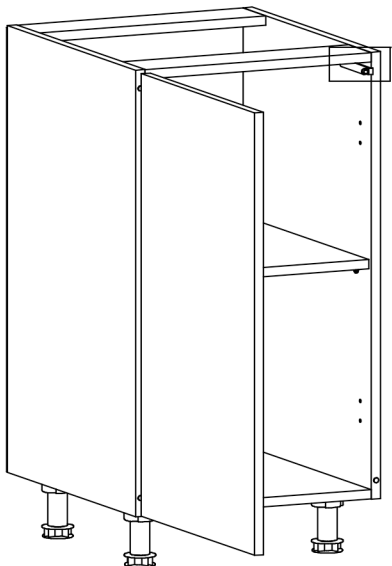
W2

II

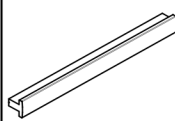
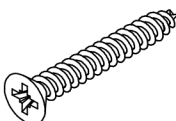

I20-b

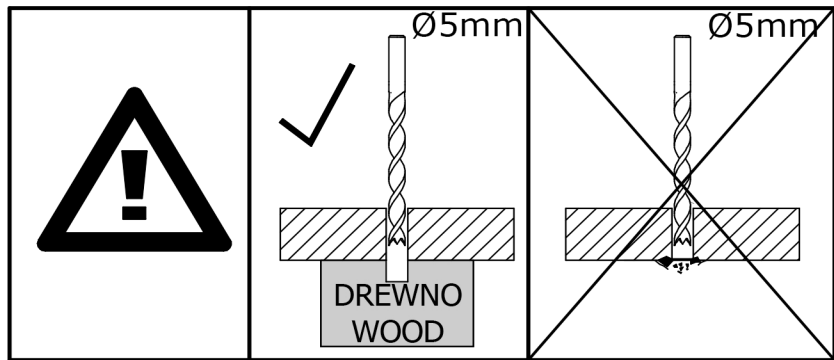
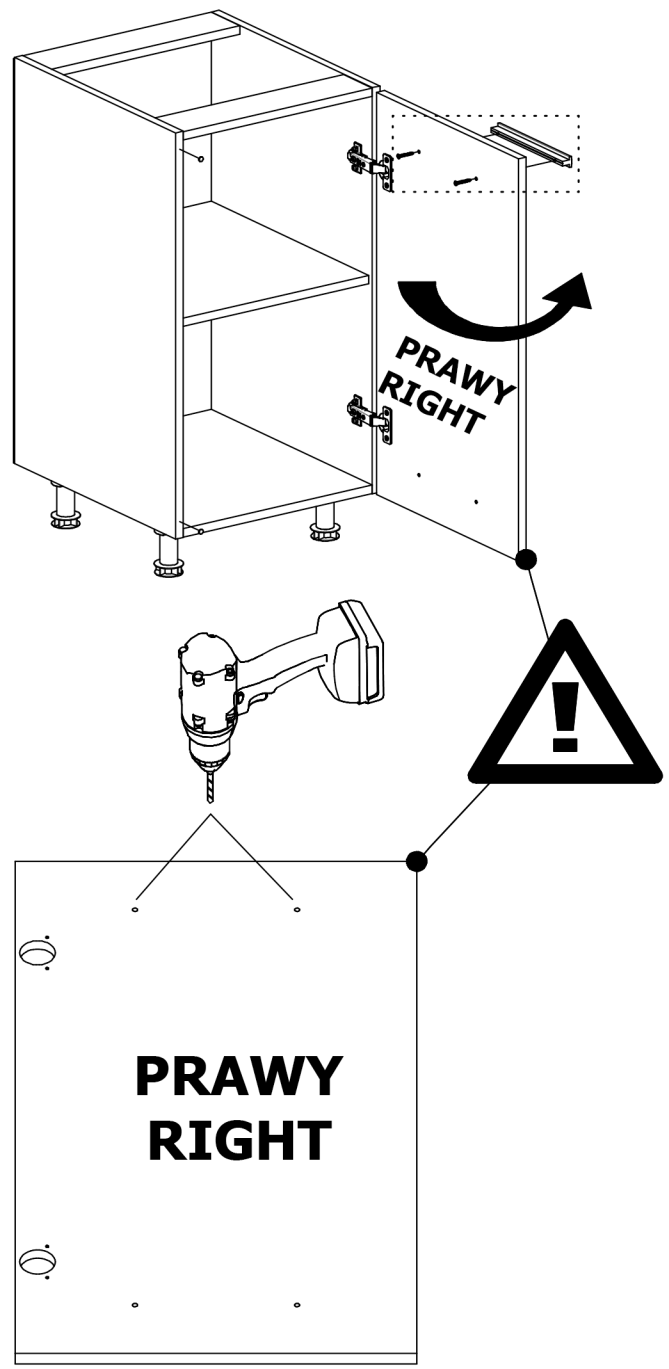
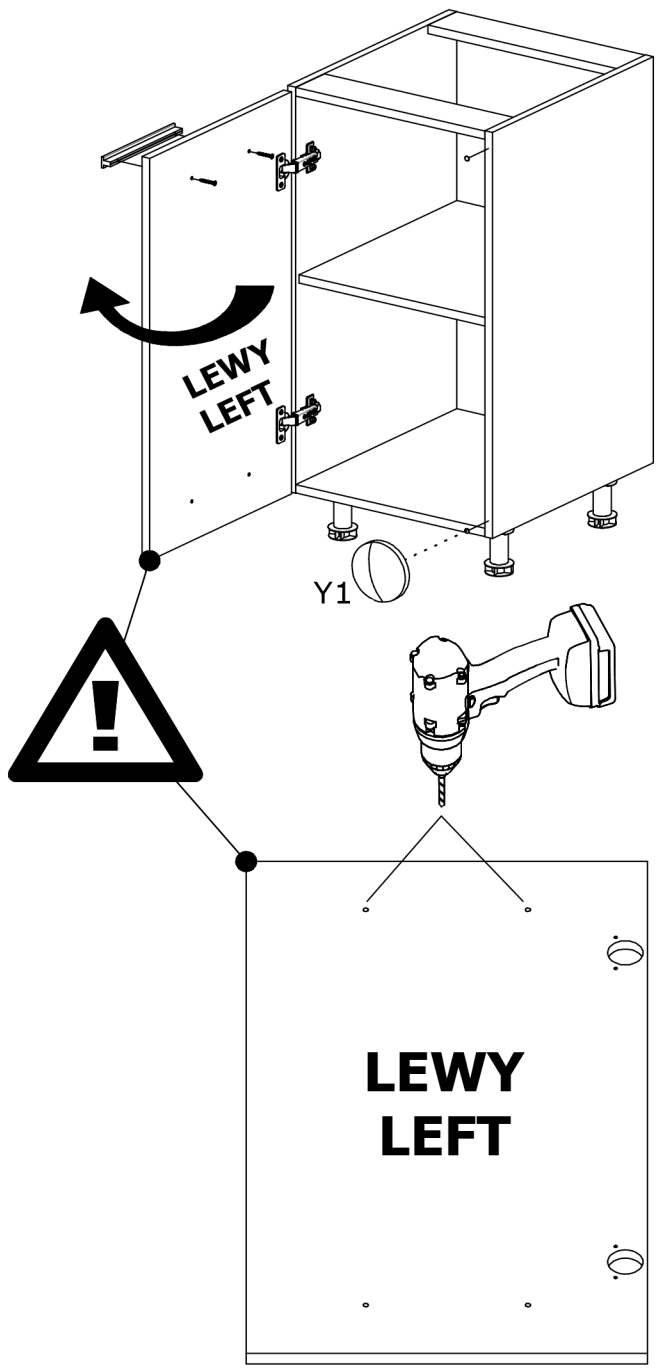
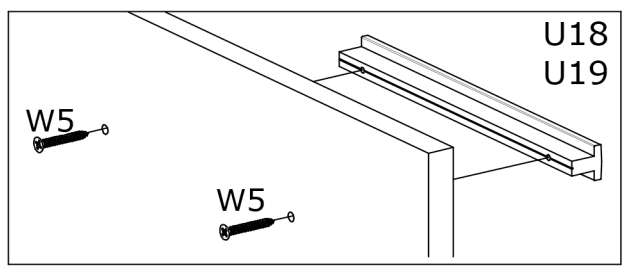
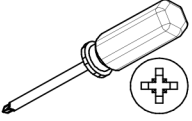


130 mm

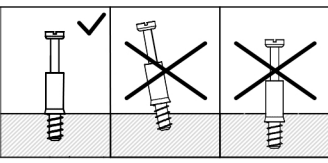
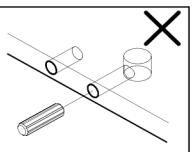
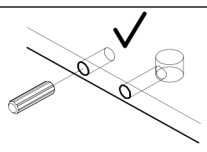
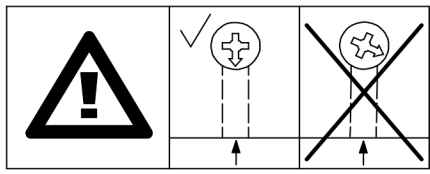
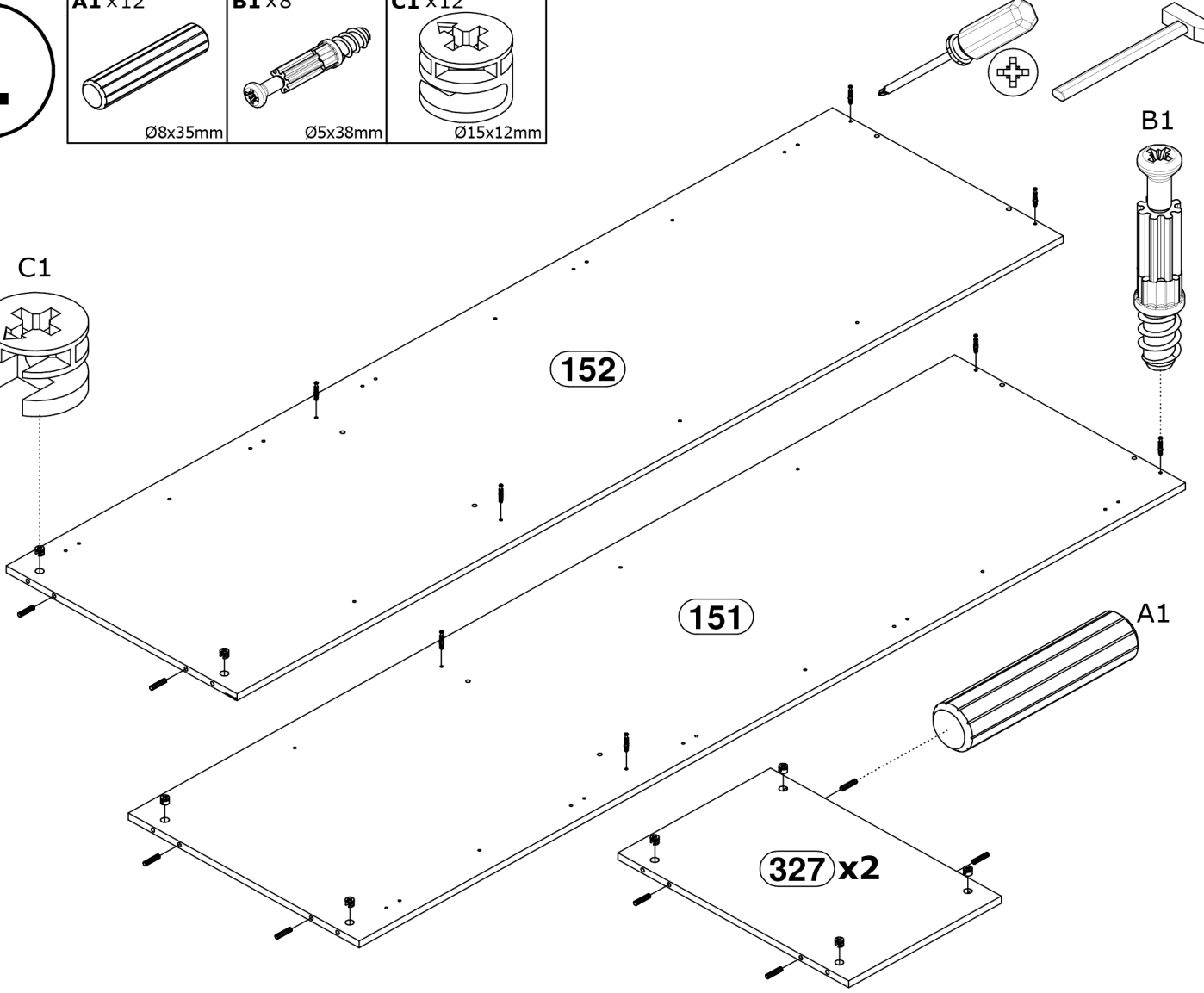
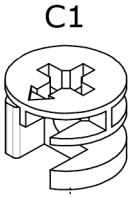
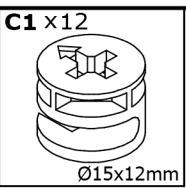
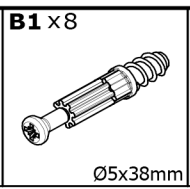
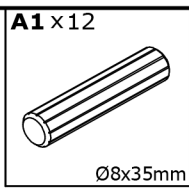


B

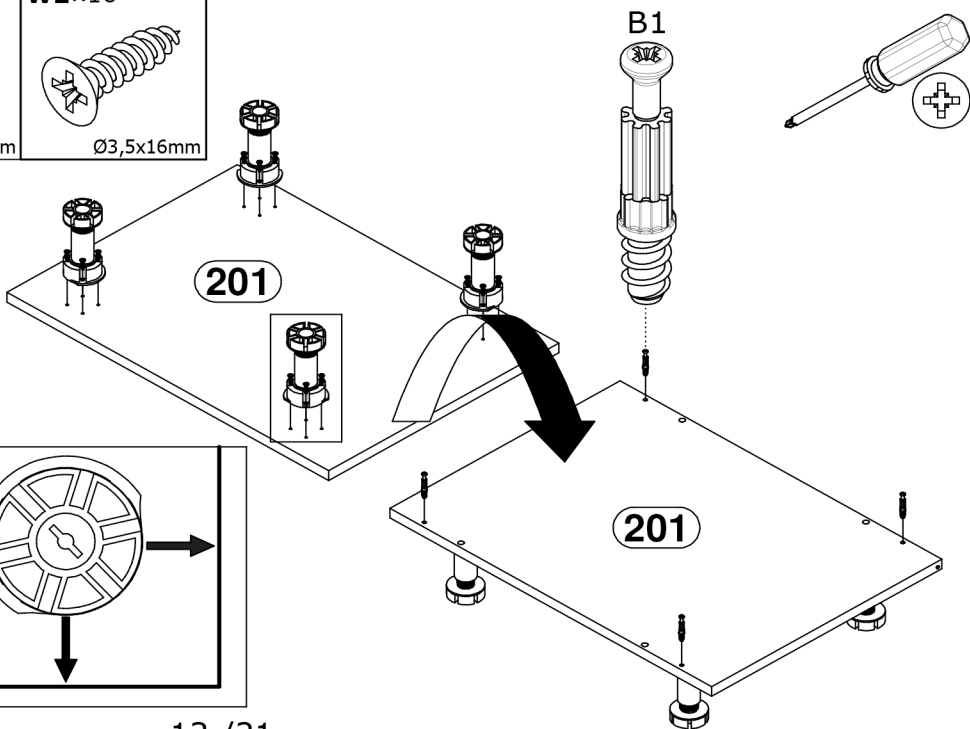
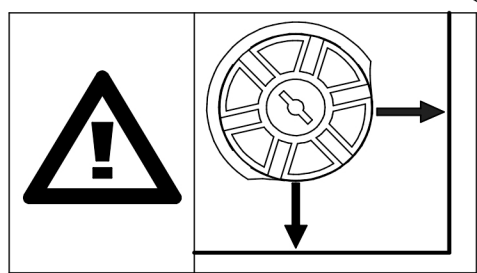
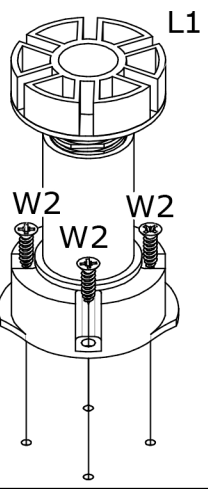
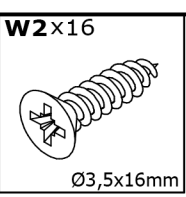
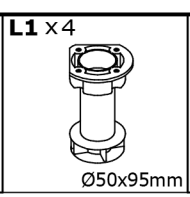
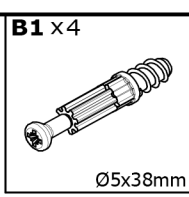
U18 / U19  200 / 300mm	W5  Ø4x30mm	Y1  Ø8x1,5mm
---	--	---



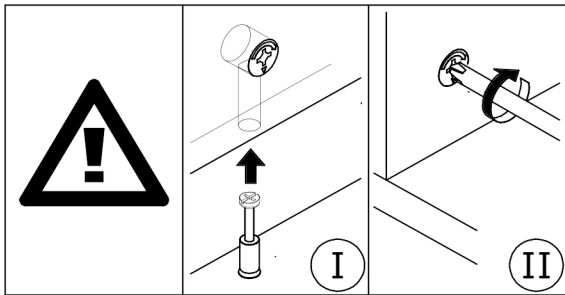
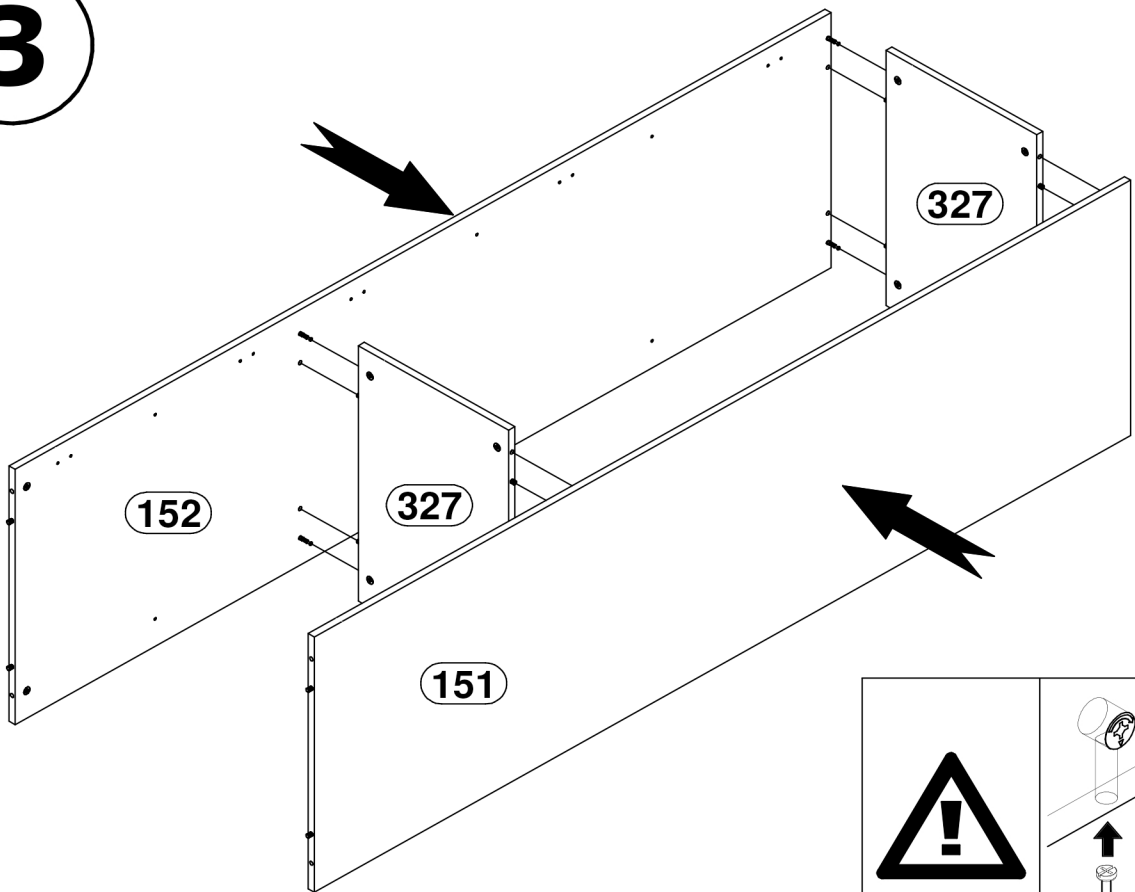
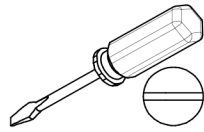
1



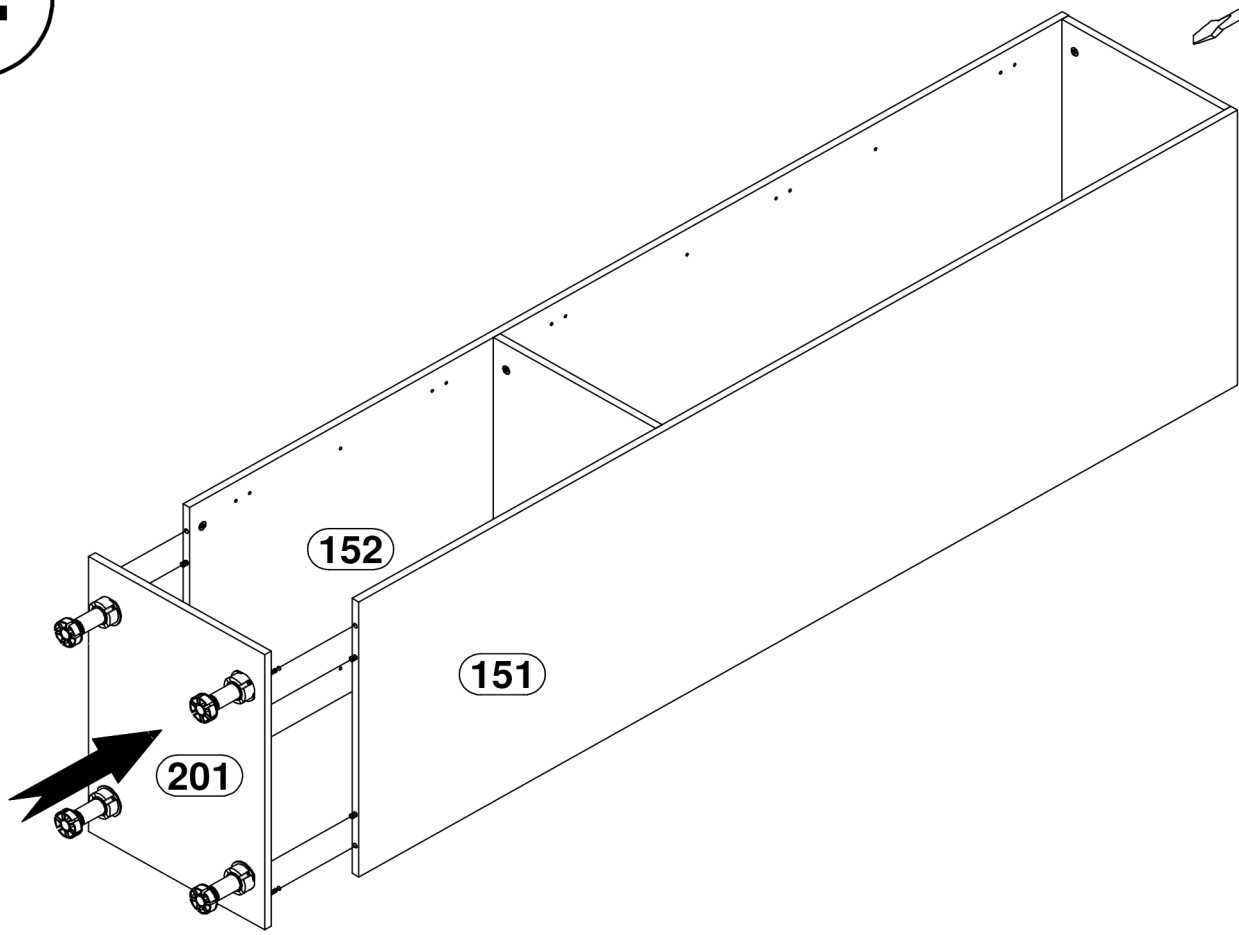
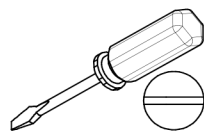
2



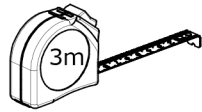
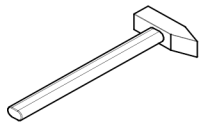
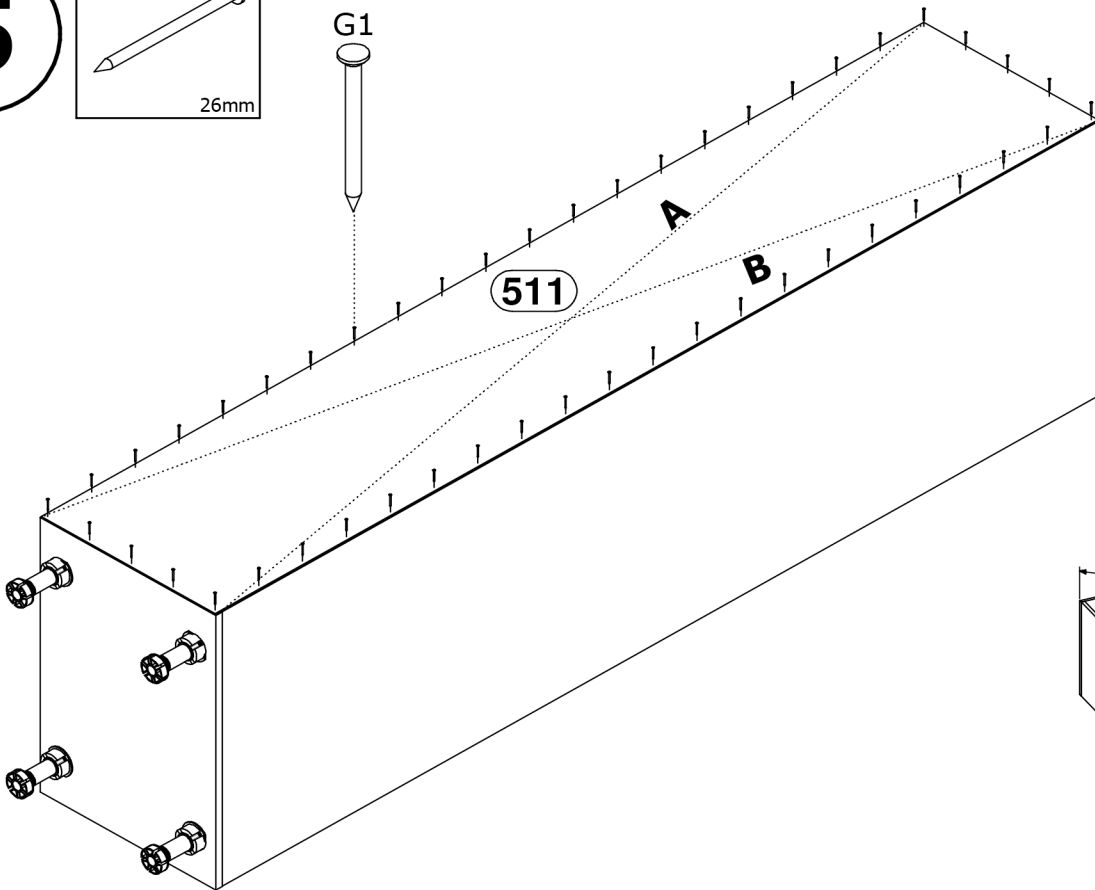
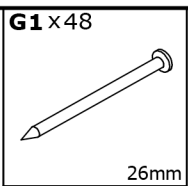
3



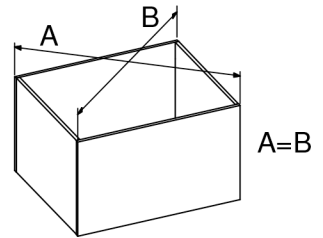
4



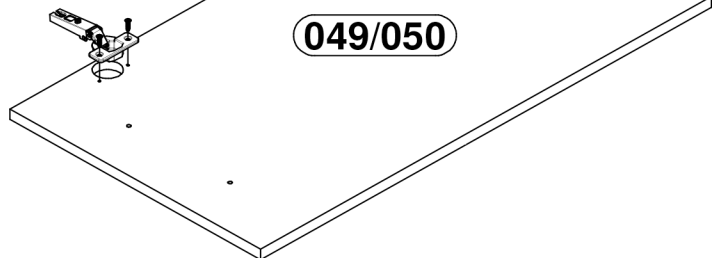
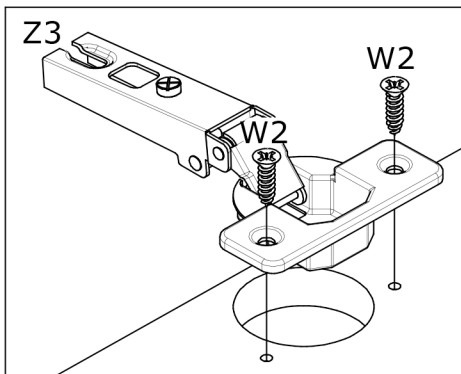
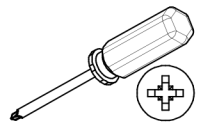
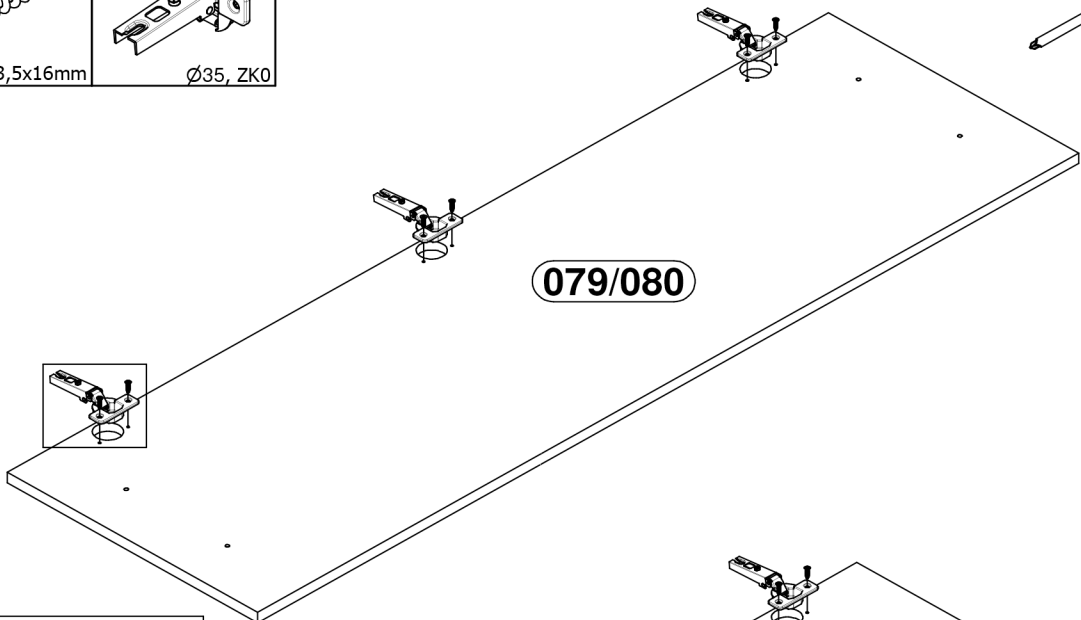
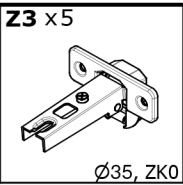
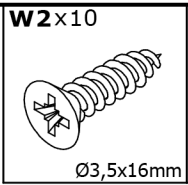
5



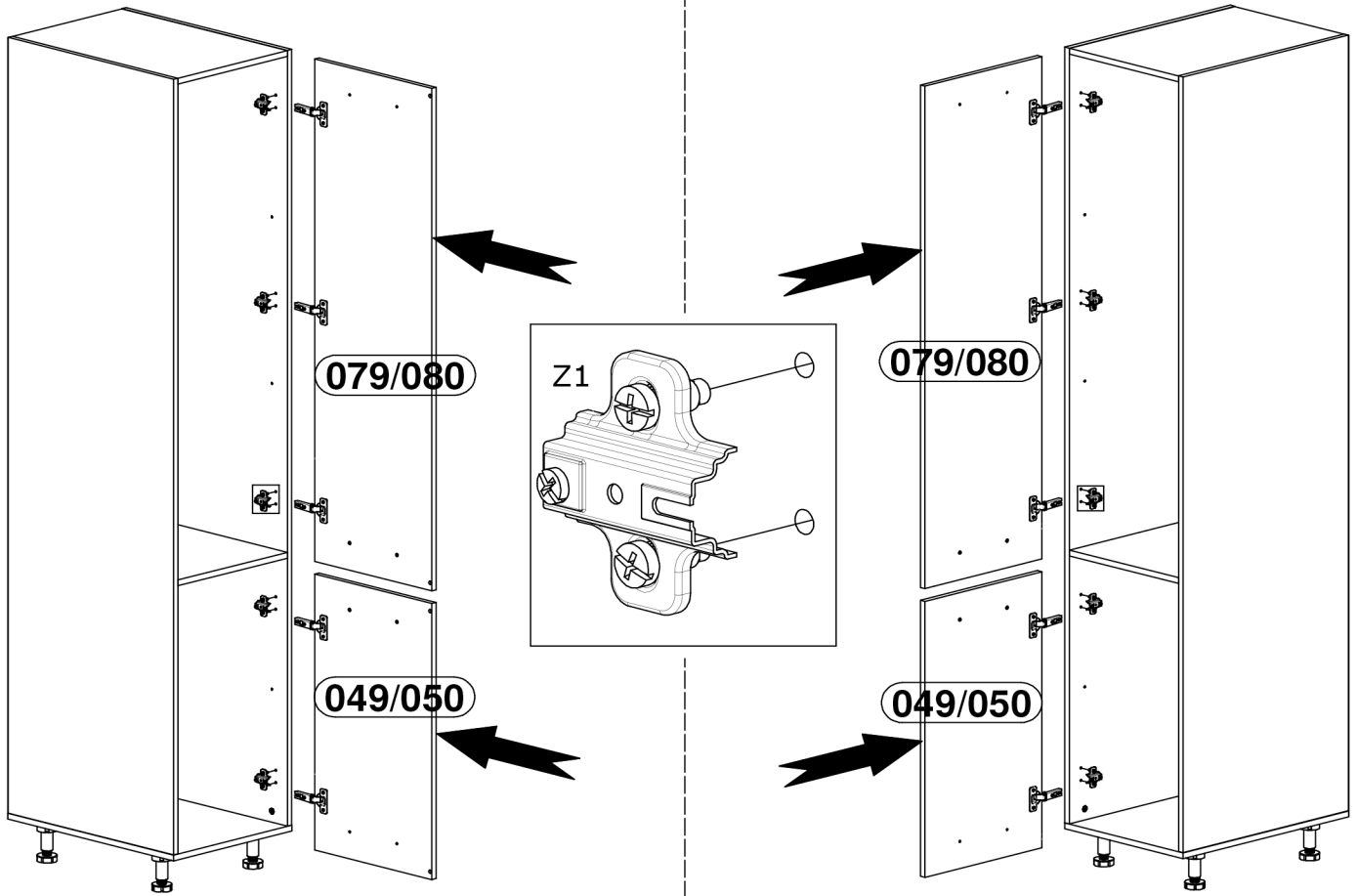
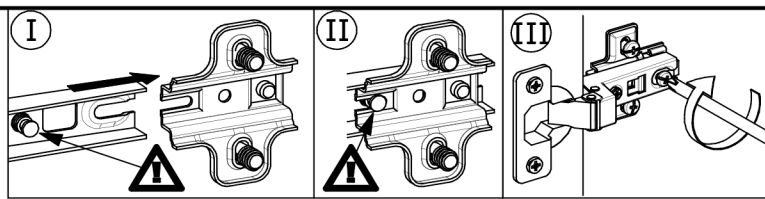
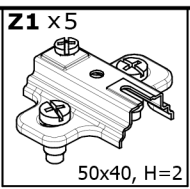
A=B ≡ 90°



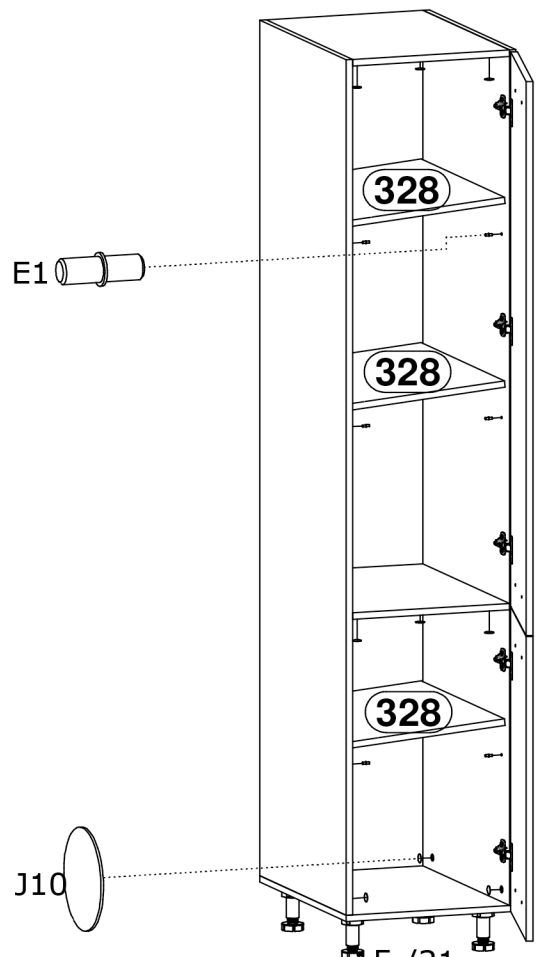
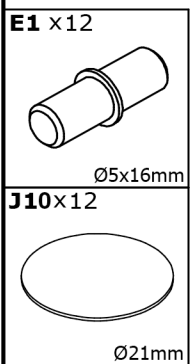
6



7



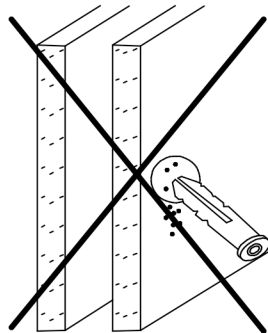
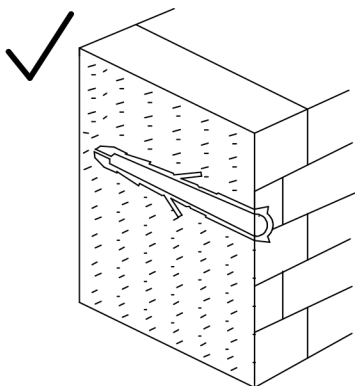
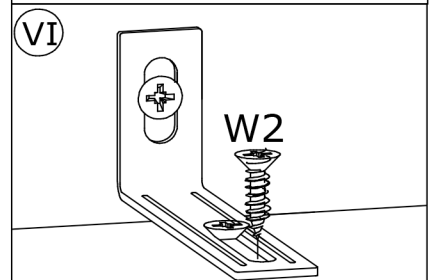
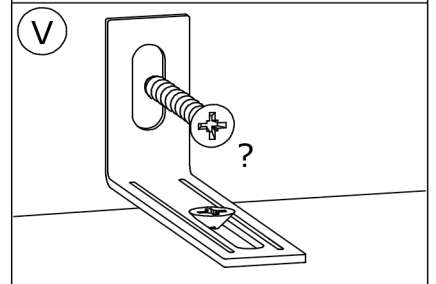
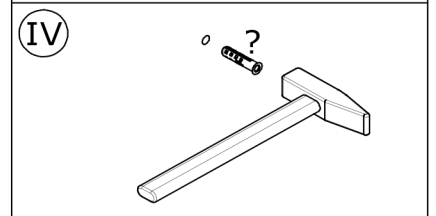
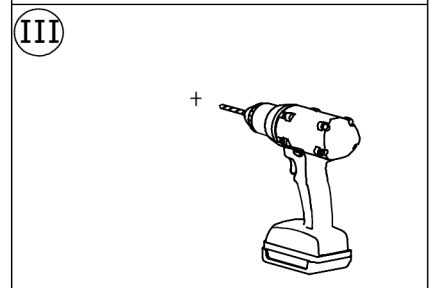
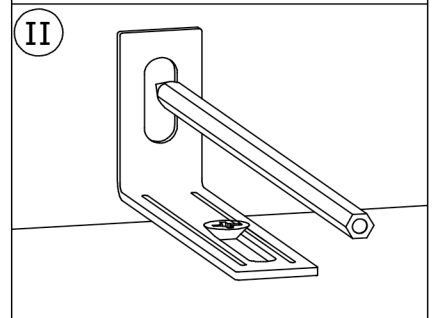
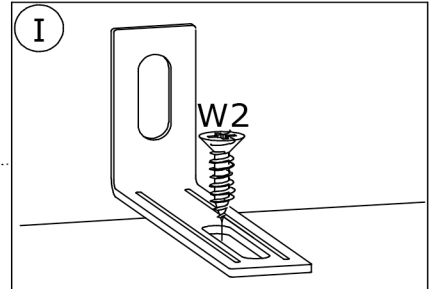
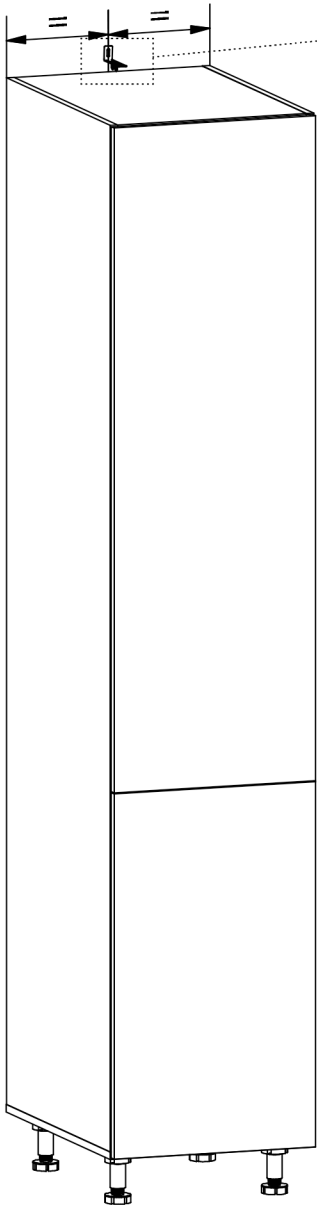
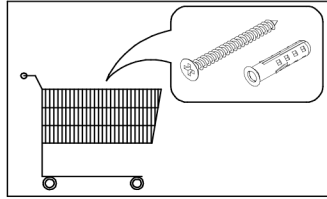
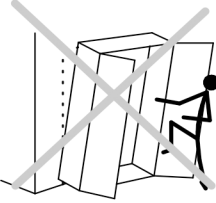
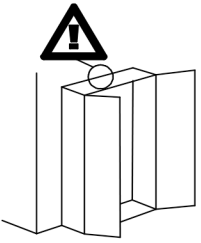
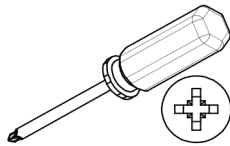
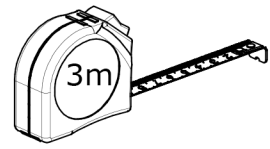
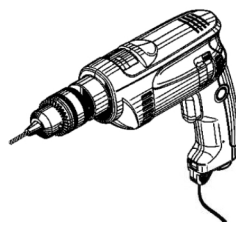
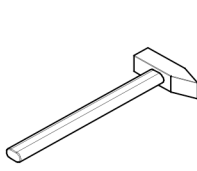
8



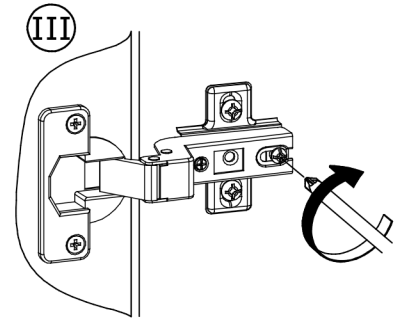
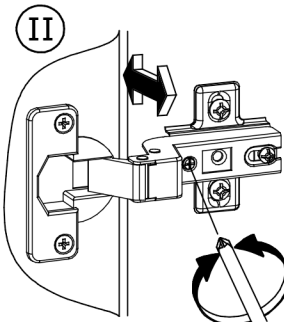
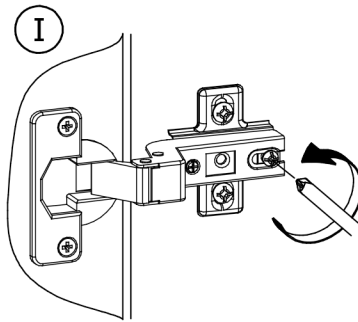
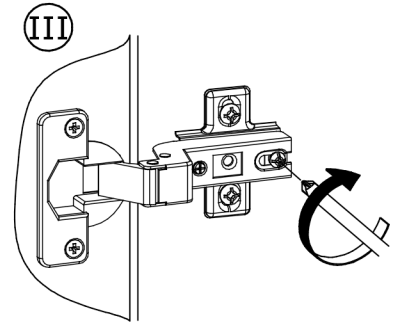
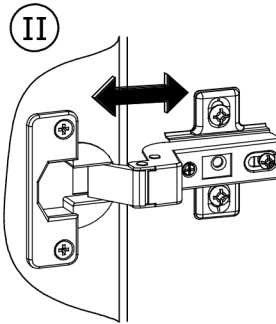
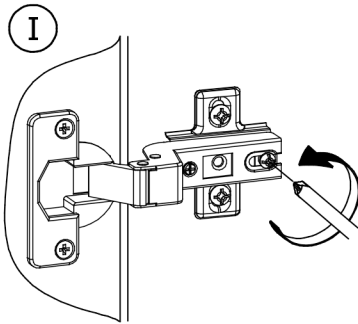
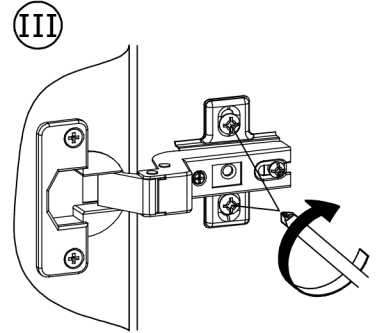
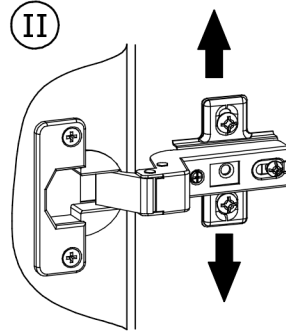
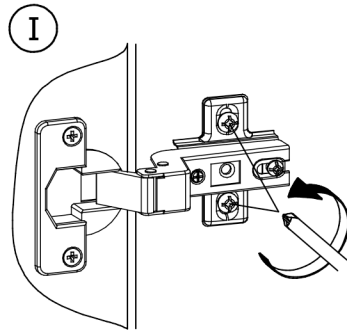
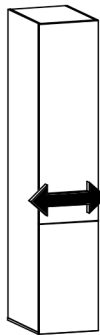
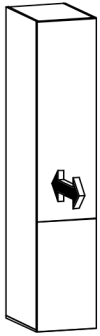
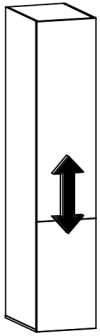
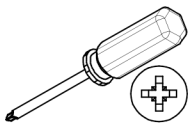
9

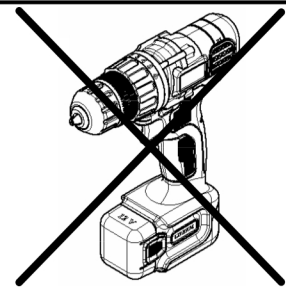
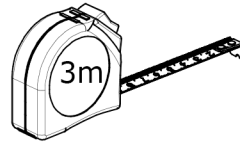
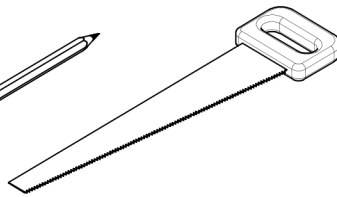
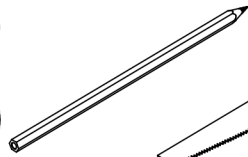
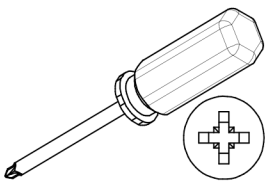
T4 x1
75x28x16 mm

W2 x2
Ø3,5x16mm

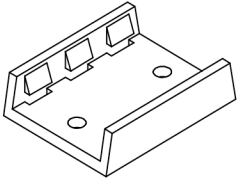


10



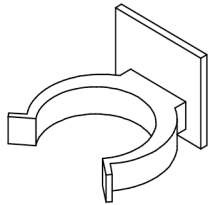


L6-ax8



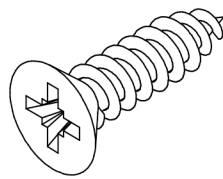
38x30x10mm

L6-bx8

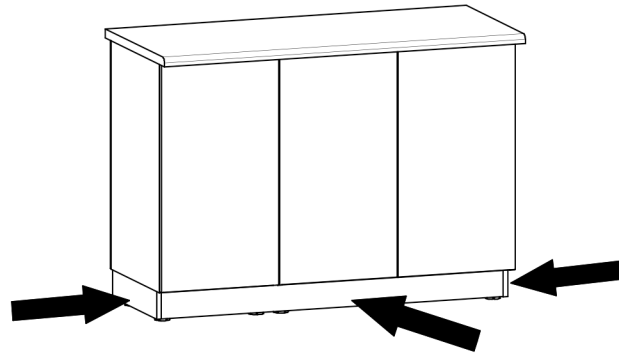
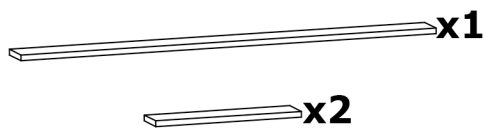


35x32x25mm

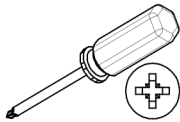
W2x16



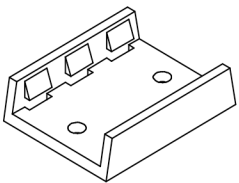
Ø3,5x16mm



C1

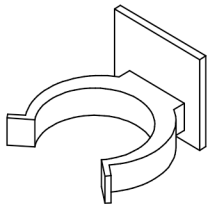


L6-ax4



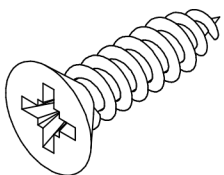
38x30x10mm

L6-bx4

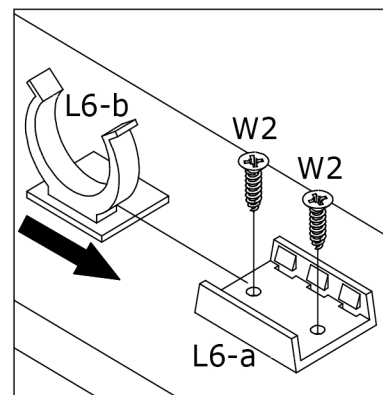
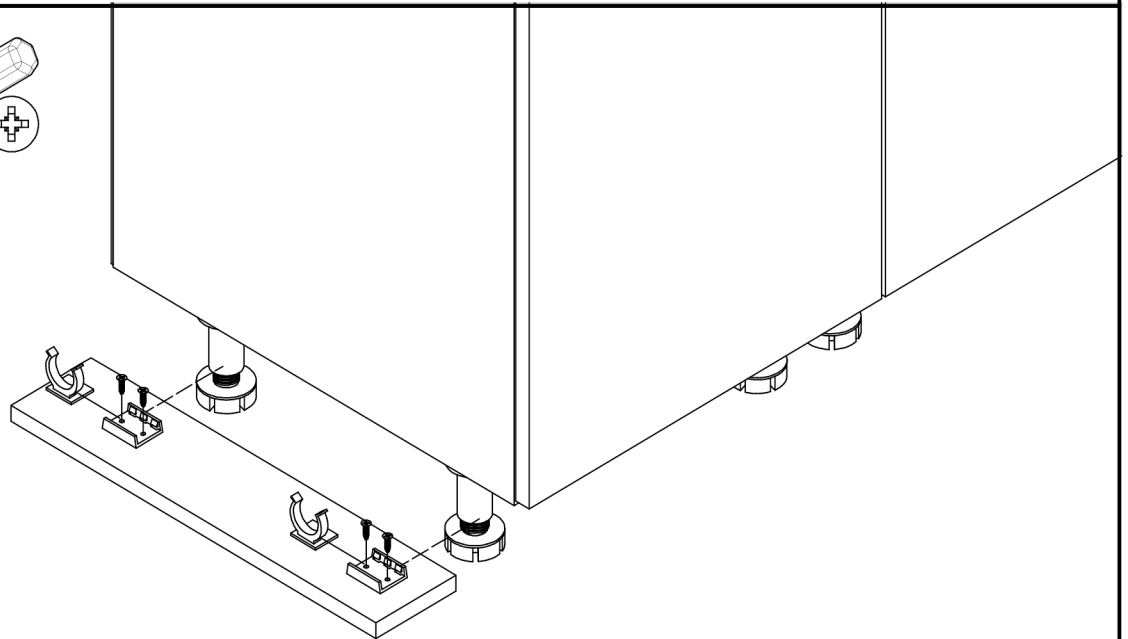


35x32x25mm

W2x8

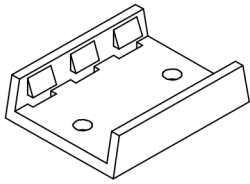


Ø3,5x16mm



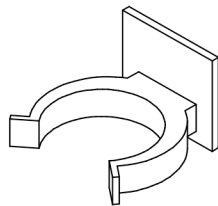
C2

L6-a x4



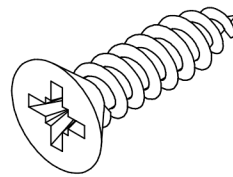
38x30x10mm

L6-b x4



35x32x25mm

W2 x8



Ø3,5x16mm

